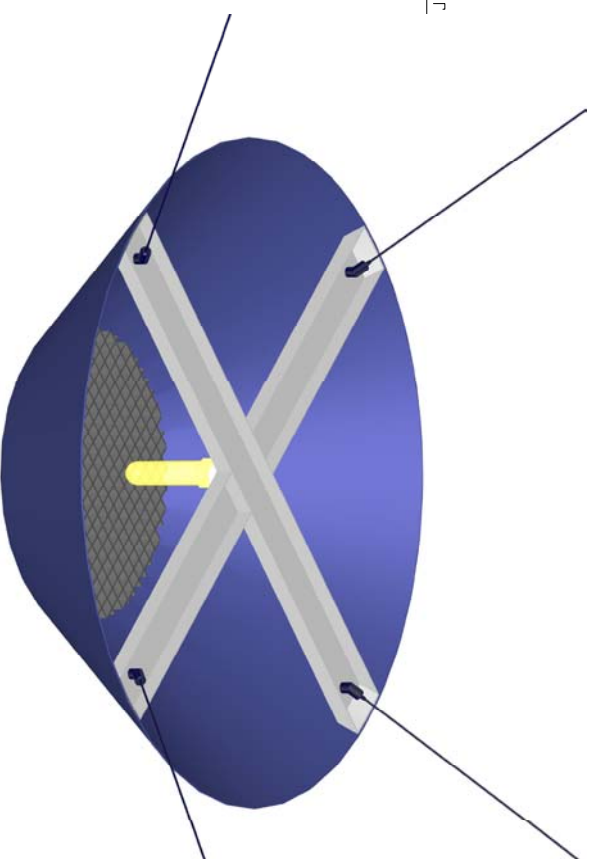
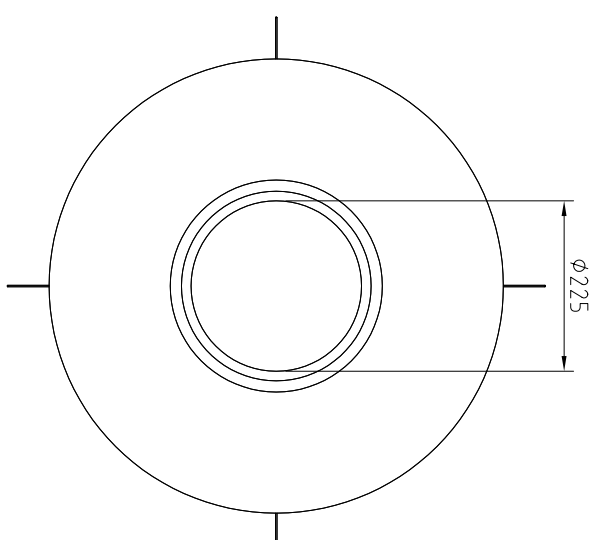
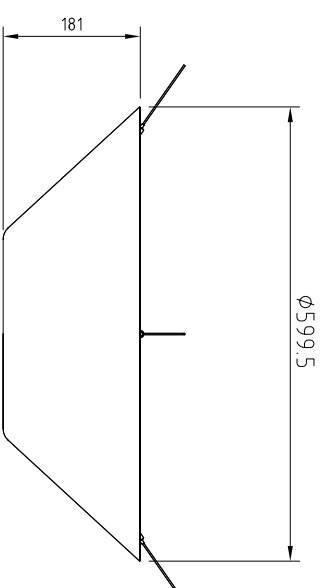
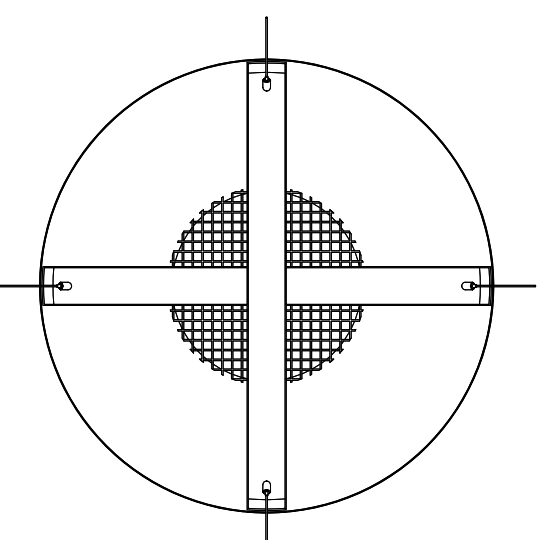


3D Representation of fitting viewed from below.



3D Representation of fitting viewed from above.



- Notes:
1. Lamp control gear to be mounted remotely, but with in 5m of the fitting (TBC)
  2. Suspension fittings shown are indicative only.
  3. Body/Shade to be powder coated RAL (TBC) to a high gloss level.
  4. Paint finish to be free from lumps, dents, dings, etc.
  5. Body/Shade will be detachable from chassis to facilitate lamp changing and cleaning. Fixing method TBC upon completion of full detail design.
  6. The fitting is intended to be supported by a four wire system, with length adjustment on each wire to allow the fitting to be levelled once installed

DO NOT USE FOR SETTING OUT

Notes:  
 Issue R1: First Release for discussion and comment.  
 Issue R2: Ceiling cup deleted, and wire suspensions moved to 'face' outwards.

Architectural Lighting & Controls Ltd  
 Unit 7, Westlake  
 Coppenhall Lane  
 Romsey, SO51 7JY  
 Hampshire, UK  
 Tel: 01794 627456  
 Fax: 01794 627455  
 E: design@architectural-lighting.co.uk  
 A I C  
 ARCHITECTURAL LIGHTING AND CONTROLS LTD  
 © Copyright 2004

Project Title:  
**Bedale School**

Drawing Title:  
**Special Pendant Fitting Details**

Date:	14-3-05	Drawn By:	NIH
Scale:	N.T.S.	Sheet Size:	A1

Dwg No.  
**ALC000452**

Rev.  
**R2 17-3-05**